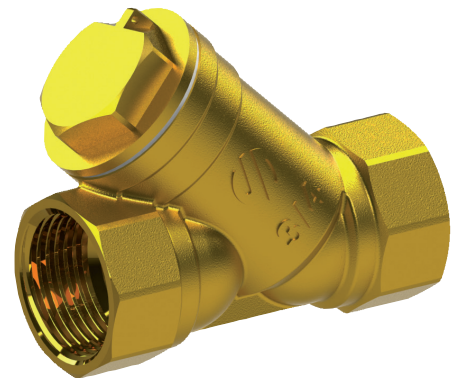




# y strainers



**TECNICAL SHEET 07/2015 | IPO8030**

## SCOPE

ARCO Y strainers, by its design and raw materials are suitable to be used in drinking water networks.

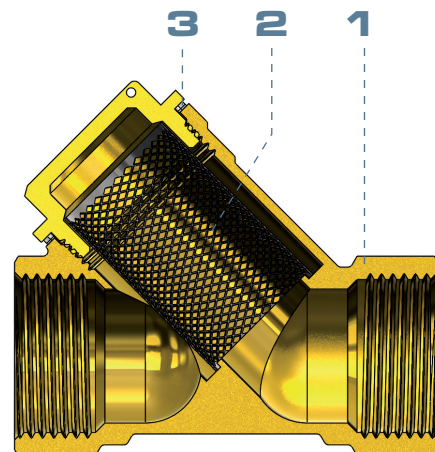
In general they are intended for all those applications where it is required to protect networks against the certain size particle inlet.

## SERVICE CONDITIONS

Nominal pressure:	16 bar
Temperature range:	0°C up to 95°C (excluding frozen)
Fluid:	Drinking water, hot water, water with max. % in glycol of 30%.

## COMPONENTS

Item	Component	Material	Treatment
1	Body and cap	European Brass CW617N	Brass color
2	Filter	Stainless steel	
3	Washer	Fiber	



## MAIN CONSTRUCTIVE FEATURES

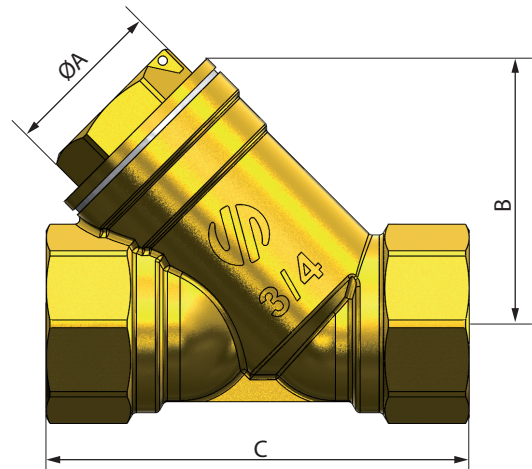
Stainless steel filter mesh features:

Nominal Diameter	1/2 - 3/4 - 1	1 1/4 - 1 1/2 - 2
Hole Maximum Pitch	1 mm	1.2 mm
Diameter Hole	800 micron	1000 micron
Holes per cm <sup>2</sup>	70	70
% Holes per total surface	45%	50%



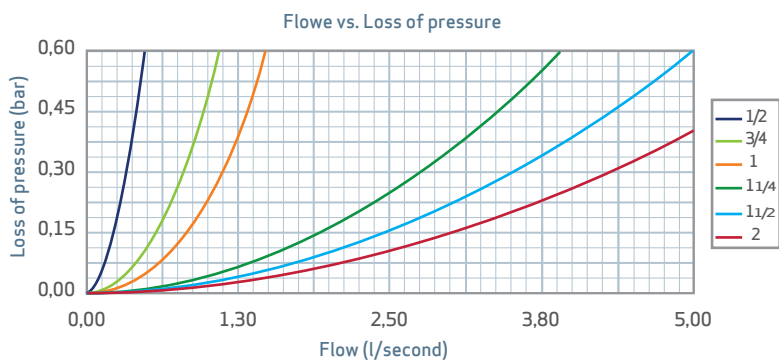
## DIMENSIONS

Size	A	B	C
1/2H-1/2H	28	39	57
3/4H-3/4H	33	43	68
1H-1H	35	52	75
1 1/4H-1 1/4H	48	69	93
1 1/2H-1 1/2H	57	75	107
2H-2H	70	92	126



## HYDRAULIC FEATURES

Hydraulic characteristics obtained according to EN 1267.



## INSTALATION AND ASSEMBLY

Hold the Y strainer from faces of the hexagons, never from the central part, that will avoid internal components deformations (in other case the Y strainer could be damaged inevitably).

Y strainers can be installed horizontally or vertically, but always must follow the flow direction, show by the arrow marked in the body.

Stainless steel filter must be cleaned depending on the utilization, to ensure a best performance of the Y strainer.

