



# mini vitaq



TECHNICAL SHEET 06/2016 | IPO3050

## SCOPE

MINI VITAQ series are manually operated metallic ball valves that incorporate ARCO anti-lime solution already present in other series such as A-80, Washing Machine, Nano, etc. This solution minimizes the effect of lime in the valves.

Due to their design and raw materials are intended to be used in plumbing networks.

In general, all those applications that require a valve to shut off the liquid flow, assuring leak tightness and fulfill all the following service conditions.

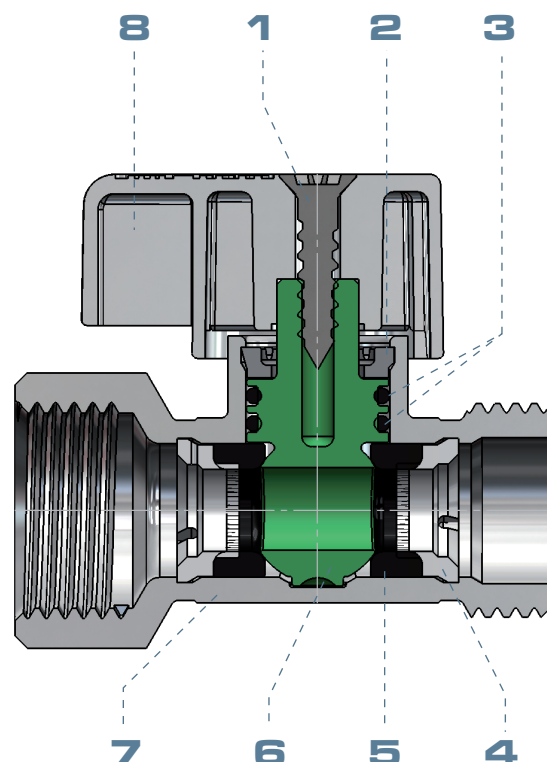
MINI VITAQ series are quarter turn valves.

## SERVICE CONDITIONS

Nominal pressure:	16 bar
Test pressure:	25 bar
Temperature range:	Cold and hot water up to 95°C
Fluid:	Drinking and domestic hot water

## COMPONENTS

Item	Component	Material	Treatment
1	Screw	Stainless steel AISI 304	
2	Supporting clip	POM	
3	O-Ring	NBR	
4	Supporting Clip	POM	
5	Seats	NBR	
6	VITAQ Stem	Anti-lime polymer	
7	Body	European Brass CW617N	Chrome plated
8	Handle	Metal	Chrome plated





## MAIN CONSTRUCTIVE FEATURES

### VITAQ SYSTEM

Stem and ball are manufactured in one whole piece made of anti-lime polymer, which increases its resistance and performance, avoiding lime effects.

This original ARCO's component has been designed to reduce loss of pressure, keeping a constant flow rate and avoiding noise. As well ball-stem's quarter turn system has the same fundamental features of leak tightness and loss of pressure that you can find in the A-80 series.

The anti-lime stem-ball is the perfect solution to prevent lime problems, that can render useless the valve and maintain the flow rate constant along the time, avoiding the lime to adhere, reducing the water flow.

### BODY: MANUFACTURED IN ONE WHOLE PIECE

Main body made in one piece in European brass CW617N by means of hot stamping process. Both process and materials confer the following advantages versus casting valves or valves made in different parts:

- Pores and bumpy texture absence.
- Surfaces with better finished.
- Higher mechanical endurance against high pressures.
- Monoblock body without a possibility of leak, being made in one piece versus other models from the competitors made in 2 pieces.





## MAIN CONSTRUCTIVE FEATURES

### INTERNAL leak tightness

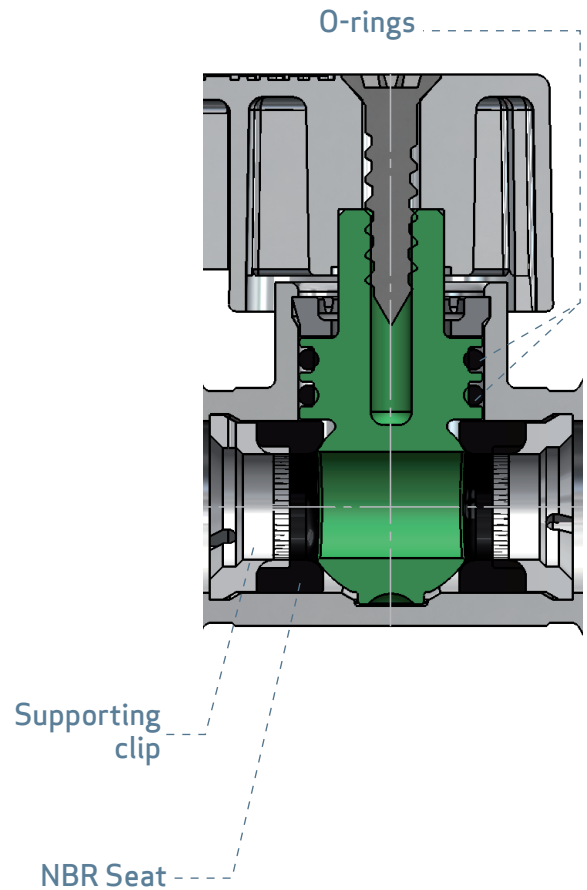
The supporting clip made of POM is placed in the valve to push the NBR seat against the stem-ball, assuring internal leak tightness.

This system cannot be dismantled, avoiding improper manipulations.

### EXTERNAL leak tightness

A pair of NBR O-rings placed in the stem assure external leak tightness.

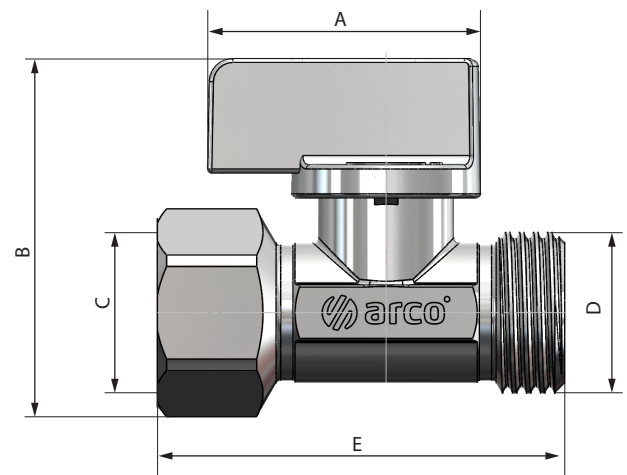
This double joint system guarantees safety against external leakage, use, ageing, etc.



## DIMENSIONS

Size	A	B	C	D	E
1/2Mx1/2F	36	46	G1/2	G1/2	53

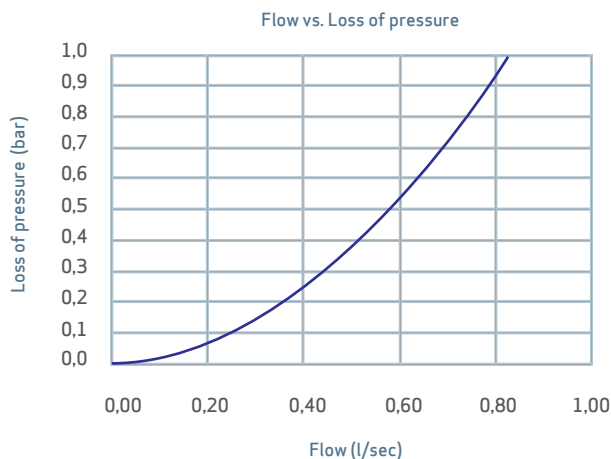
G Thread ISO 288





## HYDRAULIC FEATURES

MINI VITAQ series have been tested by our laboratory to determine the hydraulic features of flow vs. loss of pressure according European Norm EN1267.



## INSTALATION AND ASSEMBLY

The installation of valves must be done with the right tool, mostly with a spanner. Hold the valve from the end of the connection, never from the central part or the neck of the valve in order to avoid internal components deformation, the valve could be damaged inevitably.

The maximum lifespan of the valve is obtained with the spherical closure in full open or closed position, it is recommended to not operate in intermediate positions for long time periods. Valves should be maneuvered every 3 months. This frequency should be increased for waters with French hardness over 50°.

