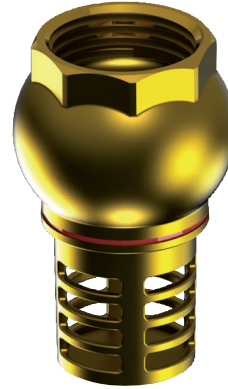




foot valves



TECHNICAL SHEET 10/2016 | IP08060

SCOPE

Foot valves belong to STOP family, and due to their design and materials are intended to be used in drinking water networks.

These valves are designed for avoiding the discharge of aspiration water column in pumping water networks.

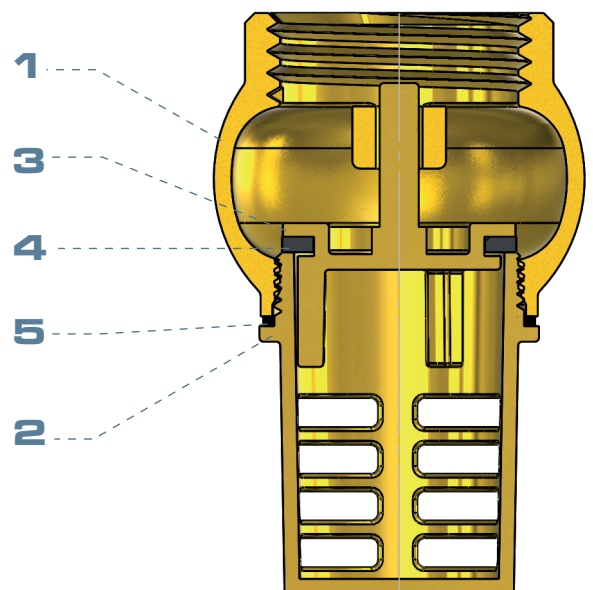
These STOP valves must not be used with residual water, stopping mechanism may block.

SERVICE CONDITIONS

Nominal pressure: 16 bar
Test pressure: 25 bar
Temperature Range: 0°C until 85°C
(excluding freezing)
Fluid: Drinking water

COMPONENTS

Item	Component	Material	Treatment
1	Body	European Brass CW617	Brass Colour
2	Filter	Brass	Brass Colour
3	Disk	European Brass CW617	Brass Colour
4	Disk Joint	SBR	
5	Joint	Paperboard	

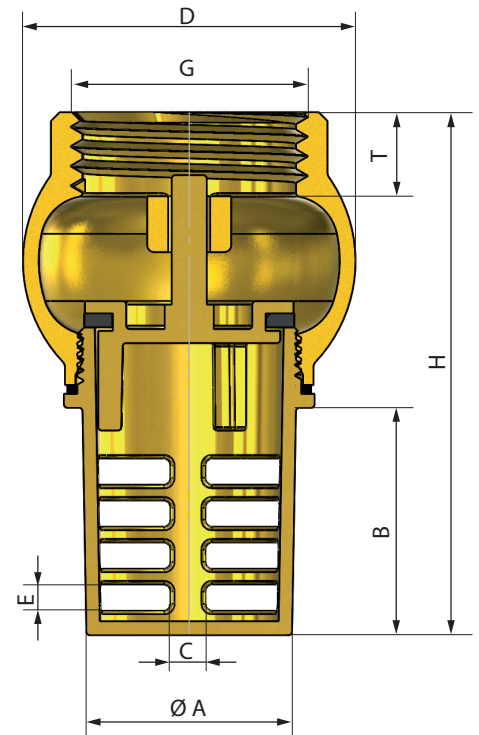




DIMENSIONS

Size	G	D	H	A	B	C	E
1/2	G1/2	38	62	24.5	25.5	5	3
3/4	G3/4	44	68	28	28.5	5	3.5
1	G1	48	76	30.5	33	5	3.5
1 1/4	G1 1/4	57	95	38	43	6.5	4.5
1 1/2	G1 1/2	66	101.5	45.5	45	6.5	4.5
2	G2	77	116	57.5	55.5	7	5.5

G Thread ISO 228
Also available with NPT Thread



INSTALATION AND ASSEMBLY

During installation, hold the valve by the end of connexion, never by the central part in order to avoid any deformation by high pressure of the tool in intern components.

FOOT VALVES must only be installed in vertical position.

