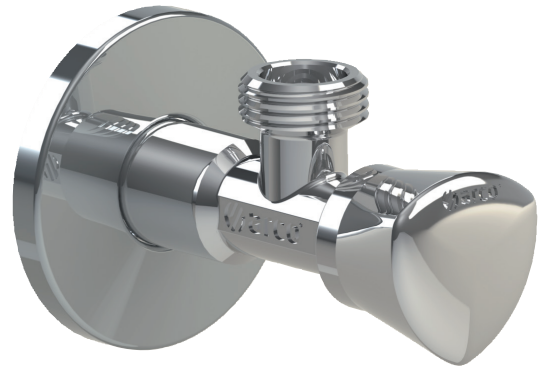




Regula angle valve



TECHNICAL SHEET 03/2016 | IPO1090

SCOPE

REGULA angle valves are designed to be connected to water pipe system. They are used to regulate and shut off individually water supply to sinks, basins and other places to proceed to repair or replace.

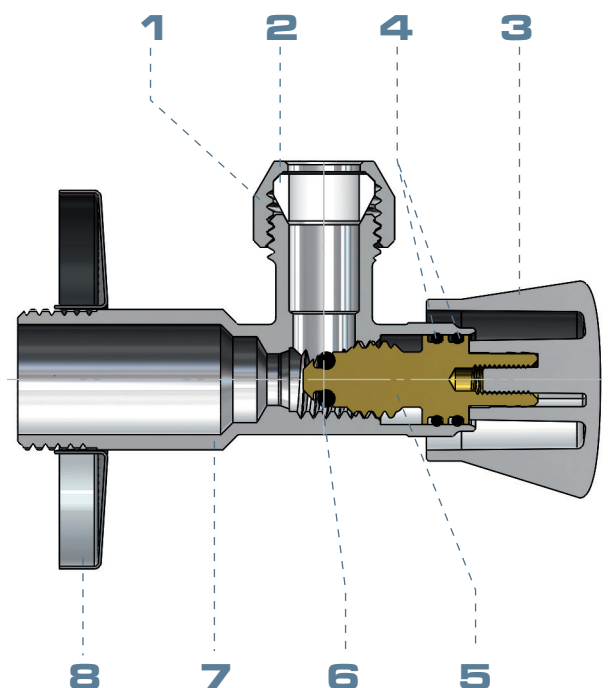
SERVICE CONDITIONS

Nominal pressure: 16 bar
 Test pressure: 25 bar
 Temperature range: cold and hot water up to 95° C
 Fluid: Water intended to human consumption and domestic hot water

COMPONENTS

| Item | Component | Material | Treatment |
|------|---------------------|-----------------------|---------------|
| 1 | Nut ¹ | CW614N European Brass | Chrome plated |
| 2 | Bicone ¹ | Polyamide | |
| 3 | Handle | ABS | Chrome plated |
| 4 | Seal | NBR | |
| 5 | Shut off | CW614N European Brass | |
| 6 | Seal | NBR | |
| 7 | Main body | CW617N European Brass | Chrome plated |
| 8 | Rosette | Stainless steel | |

¹ According to model





MAIN CONSTRUCTIVE FEATURES

Shut off

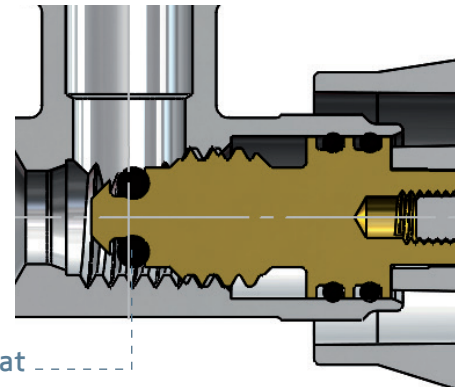
It is made of a European CW614N brass multi-tum spindle. This multi-tum system and the cone-shapes end help to the controlled regulation of the flow.

This component has been designed to reduce loss of pressure, increase the flow rate and avoid noise.



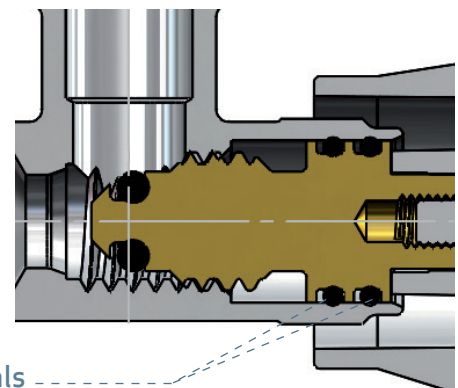
Internal leak tightness

The seal placed at the end of the shut off makes pressure against the body of the valve, bringing on leak tightness and keeping from the flow.



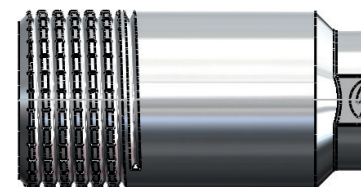
External leak tightness

A double NBR seal placed on the stem assure external leaktiness. This double joint system guarantees safety against external leakage, use ageing,...



Knurled threads

REGULA ORIGINAL angle valves have the classic knurled system of ARCO on the thread to facilitate the installation. It makes easier the application of teflon, esparto gras... to the thread, avoiding slidings of these elements while application.



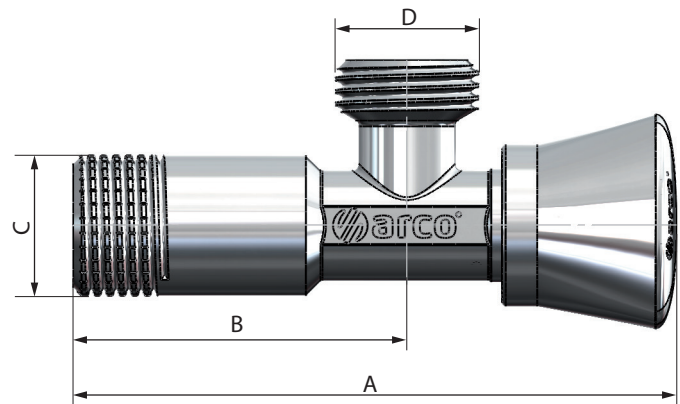


DIMENSIONS

REGULA whitout nut

| Size | A | B | C | D |
|-----------|----|----|---------|---------|
| 1/2 X 3/8 | 87 | 48 | G 3/8 A | G 1/2 A |
| 1/2 X 1/2 | 87 | 48 | G 1/2 A | G 1/2 A |

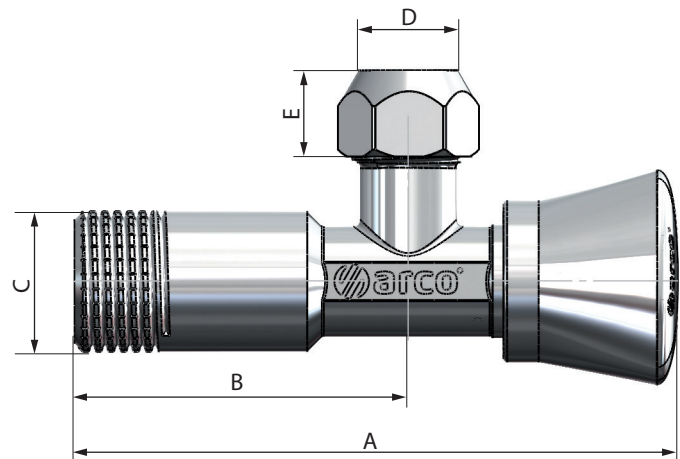
Threads G ISO 228



REGULA whit nut

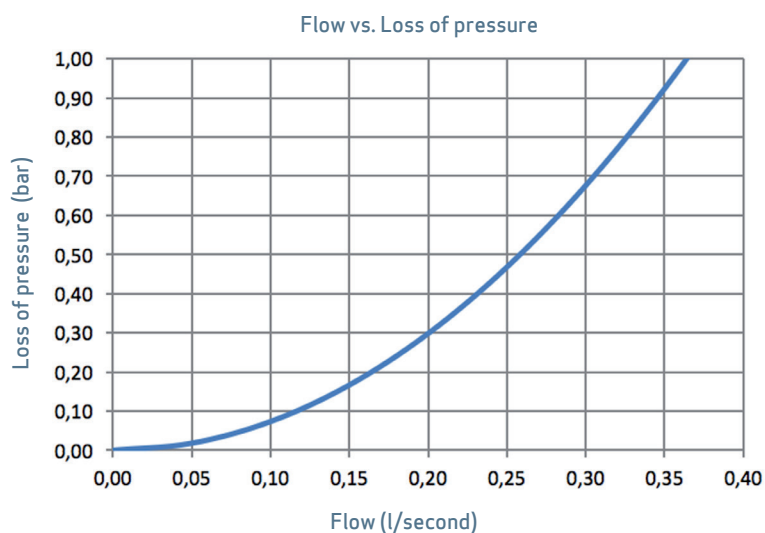
| Size | A | B | C | D | E |
|----------------|----|----|---------|----|----|
| 1/2 x 3/8 x 10 | 87 | 48 | G 1/2 A | 10 | 13 |

Threads G ISO 228



HYDRAULIC FEATURES

Hidraulic characteristics obtained according to EN 1267





INSTALATION **AND ASSEMBLY**

The installation of valves must be done with the right tool, mostly whit 15 spanner.

The tool should be adjusted to the flat sides of the body of the valve, avoiding the deformation of the zone by high pressure of the tool.

Components of the valve must not be altered. The sustitution or dismantelling of the handle can provocate external leaks.

All quarter turn handle valves should work totally open.

